

Service
Service
Service



Service Manual



TABLE OF CONTENTS

	Page
Version Variation.....	1-2
Technical specification	1-3..1-14
Safety instruction.....	2-1
ESD protection.....	2-2
Set Block diagram	3-1
Set Wiring diagram.....	4-1
Circuit diagram.....	5-1..5-3
Layout diagram.....	6-1..6-2
Mechanical Exploded view.....	7-1

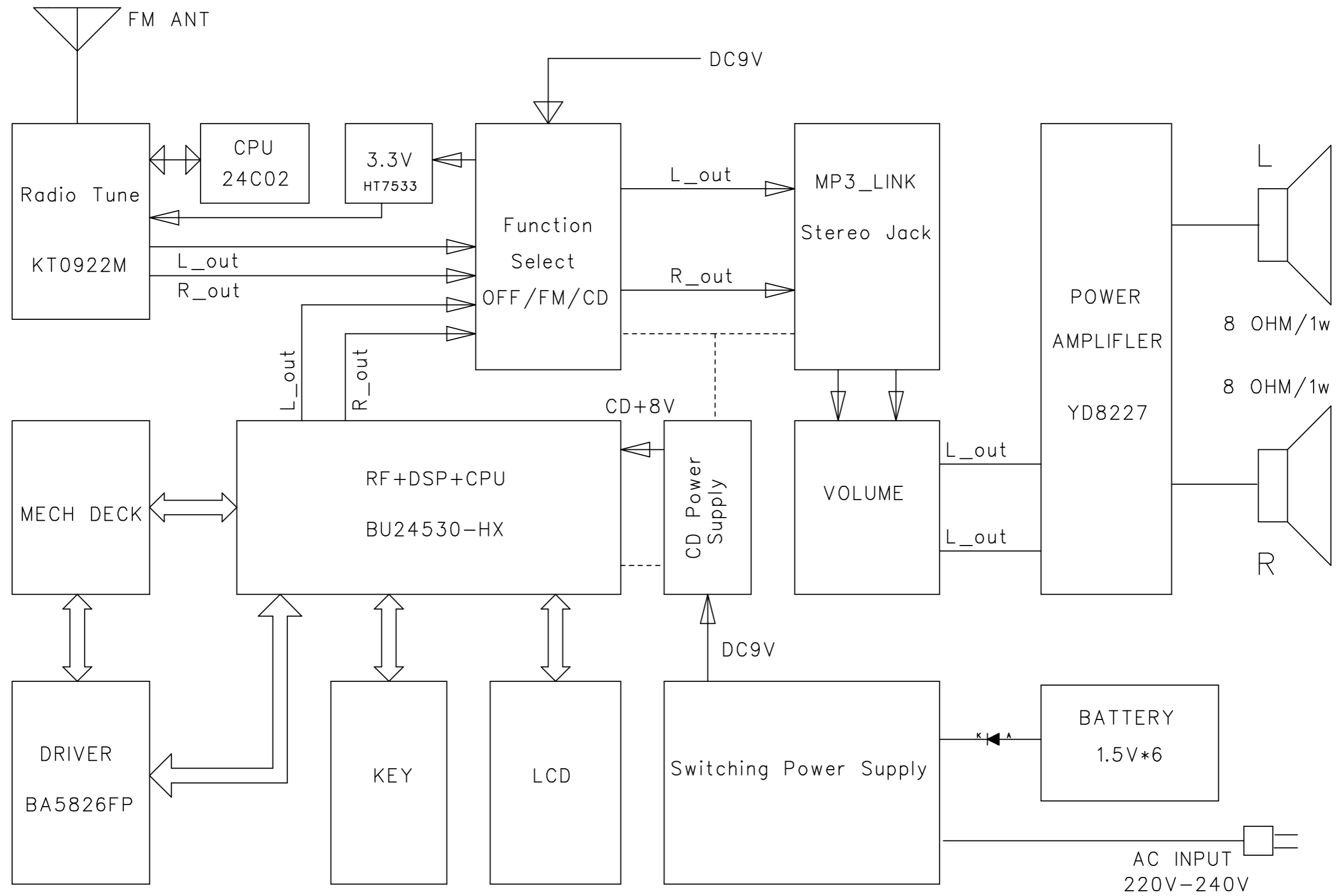
© Copyright 2012 Philips Consumer Electronics B.V. Eindhoven, The Netherlands
All rights reserved. No part of this publication may be reproduced, stored in a retrieval system or transmitted, in any form or by any means, electronic, mechanical, photocopying, or otherwise without the prior permission of Philips.



BLOCK DIAGRAM

3-1

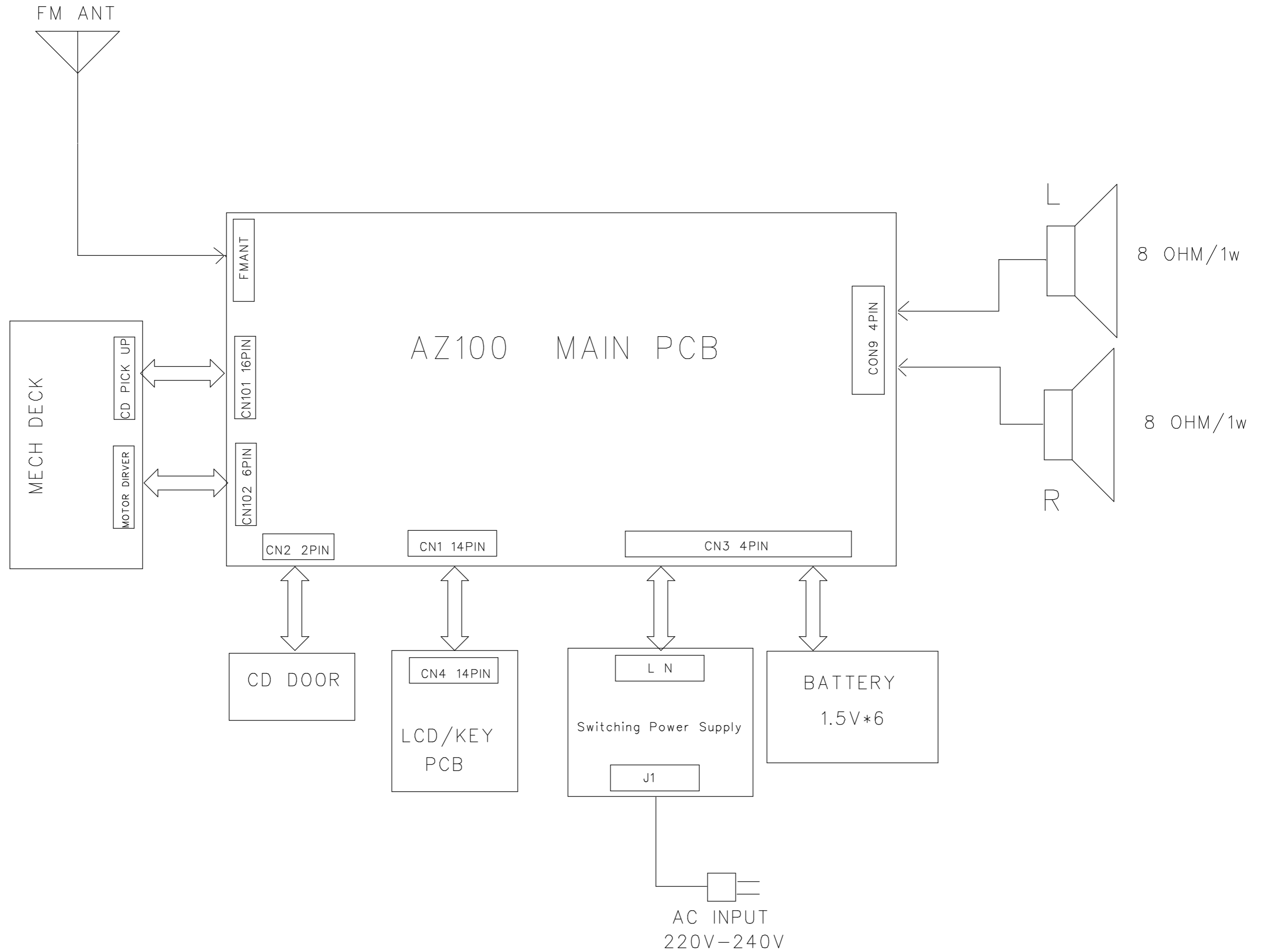
3-1



WIRING DIAGRAM

4-1

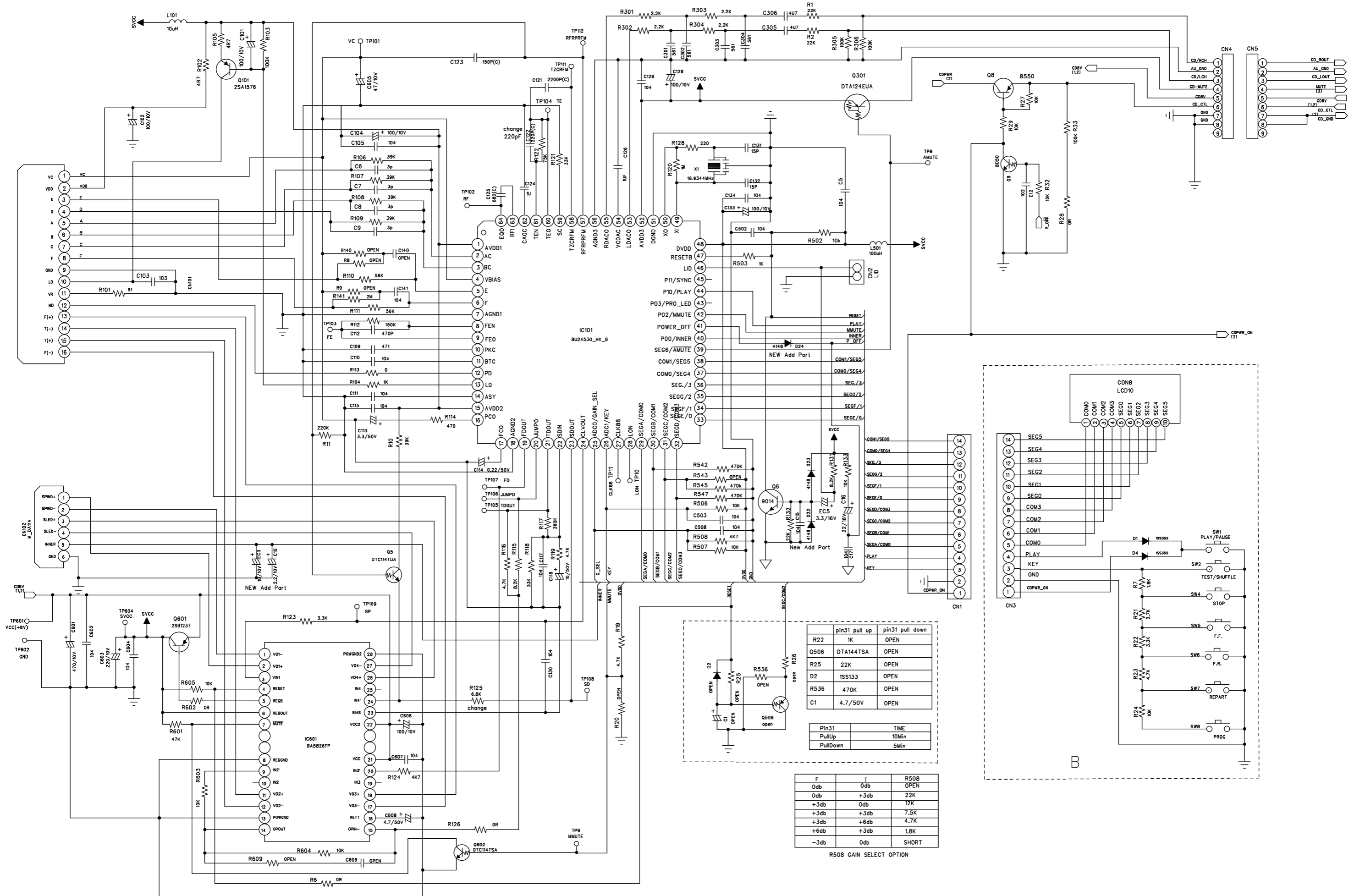
4-1



CIRCUIT DIAGRAM - MAIN BOARD

5-1

5-1

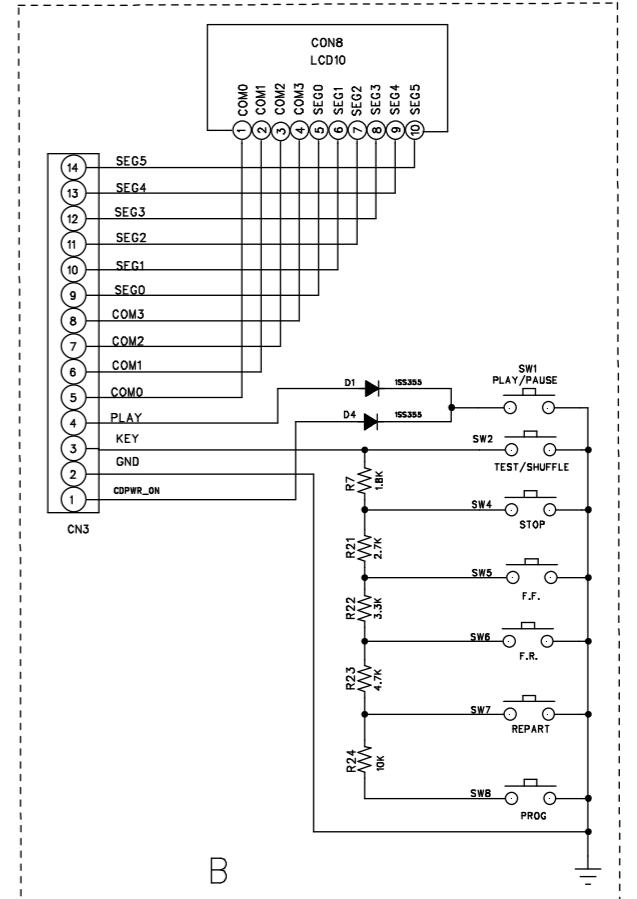


Component	Value	Notes
Q506	DTA144TSA	OPEN
R25	22K	OPEN
R536	470K	OPEN
C1	4.7/50V	OPEN

Pin31	TIME
PullUp	10Min
PullDown	5Min

F	T	R508
0db	0db	OPEN
0db	+3db	22K
+3db	0db	12K
+3db	+3db	7.5K
+3db	+6db	4.7K
+6db	+3db	1.8K
-3db	0db	SHORT

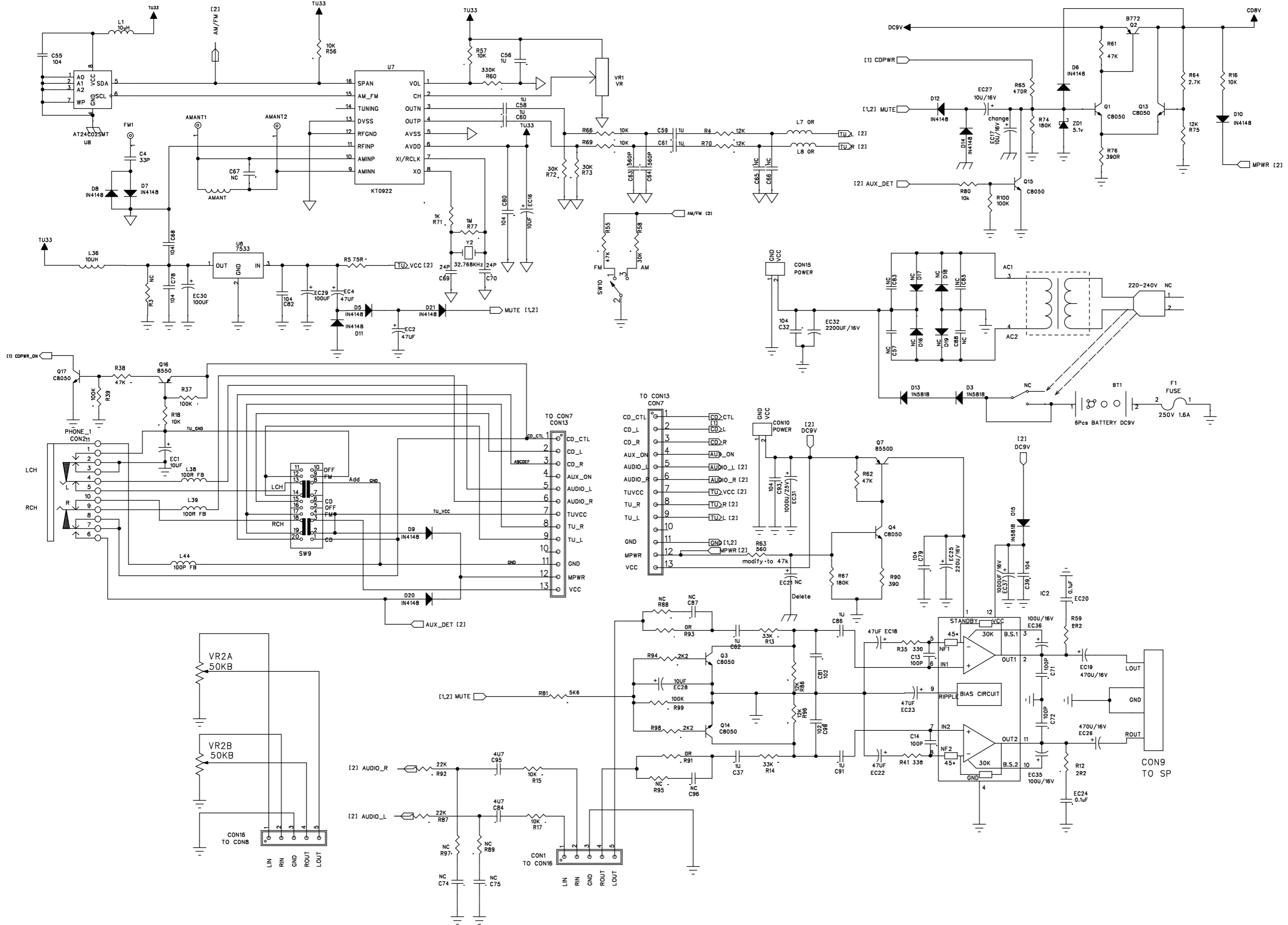
R508 GAIN SELECT OPTION

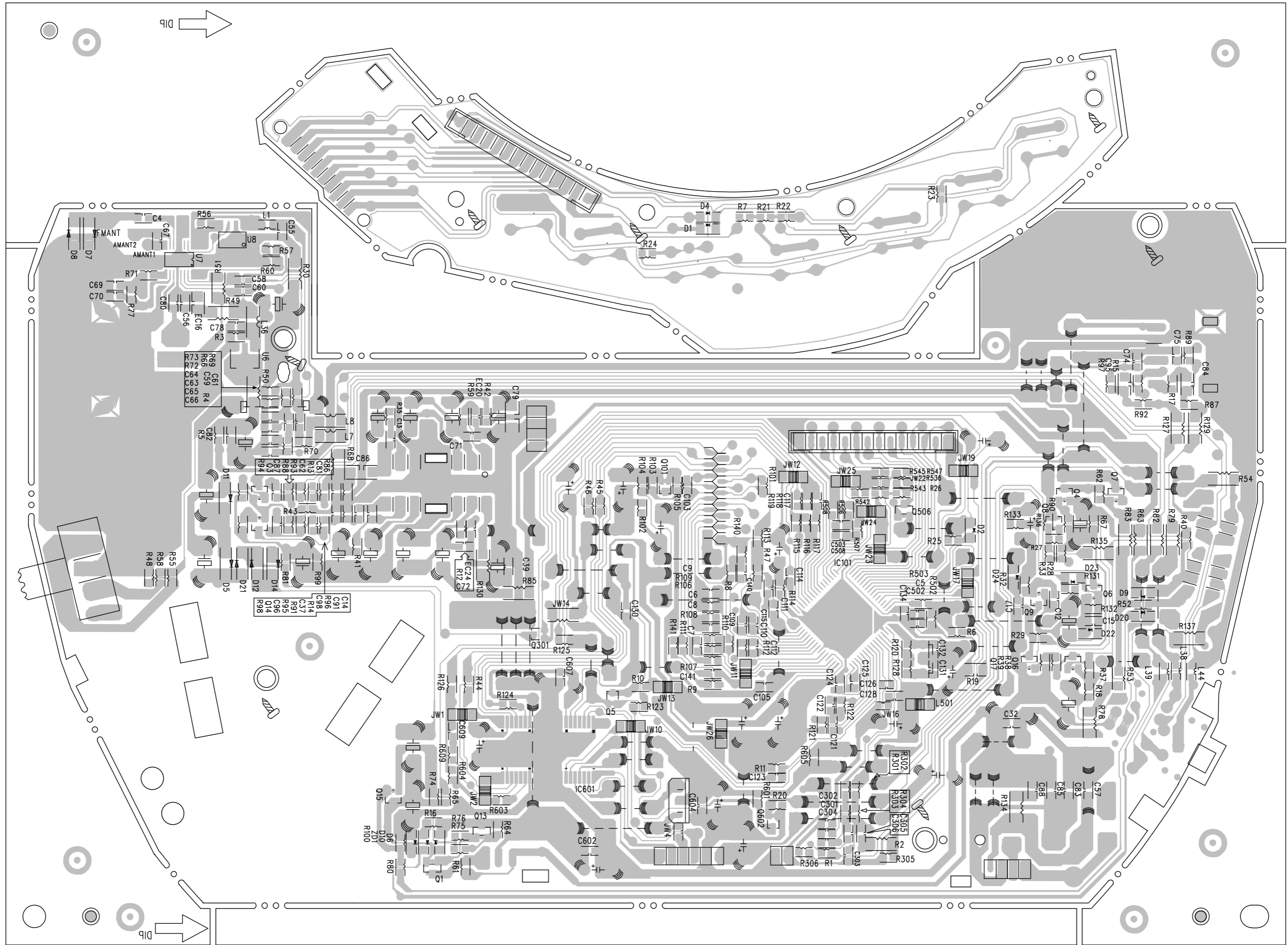


CIRCUIT DIAGRAM - MAIN BOARD PART 2

5-2

5-2





EXPLODE VIEW DIAGRAM

7-1

7-1

